

Europäisches Patentamt  
 European Patent Office  
 Office européen des brevets



(11) EP 1 191 423 A2

(12) EUROPEAN PATENT APPLICATION

(43) Date of publication:  
 27.03.2002 Bulletin 2002/13

(51) Int Cl.7: G06F 1/00

(21) Application number: 01500156.3

(22) Date of filing: 26.06.2001

(84) Designated Contracting States:  
 AT BE CH CY DE DK ES FI FR GB GR IE IT LI LU  
 MC NL PT SE TR  
 Designated Extension States:  
 AL LT LV MK RO SI

(72) Inventor: Gamell i Andreu, Josep  
 08024 Barcelona (ES)

(74) Representative: Curell Aguilà, Marcelino et al  
 Dr. Ing. M. Curell Sunol I.I. S.L.  
 Agentes de la Propiedad Industrial  
 Passeig de Gracia, 65 bis  
 E-08008 Barcelona (ES)

(30) Priority: 25.09.2000 ES 200002305

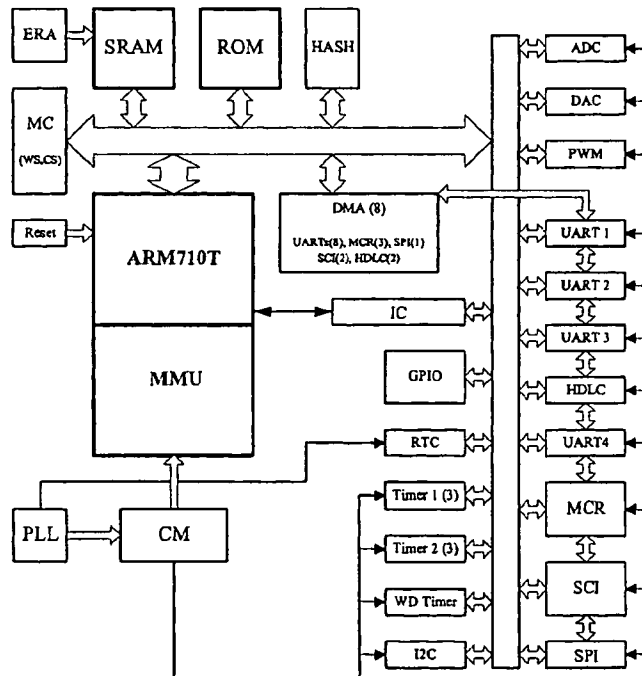
(71) Applicant: TelesIncro S.A.  
 8290 Cerdanyola del Vallès (Barcelona) (ES)

(54) Integrated circuit with cryptographic capabilities

(57) An integrated circuit comprising at least one microprocessor, an external connection interface, a data bus, an external address bus, a battery or dry cell supported data RAM (SRAM), a ROM containing at least one program and public keys, where at least part of said

program is a cryptographic algorithm operating with the public keys contained in said ROM and at least one additional circuit with predefined functionalities. One application of this printed circuit is in the production of security modules, for example, for data terminals.

FIG. 1



EP 1 191 423 A2